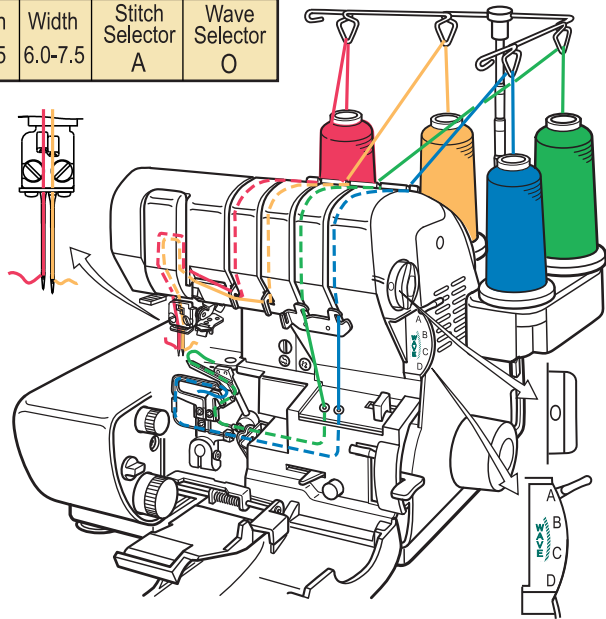
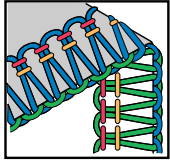


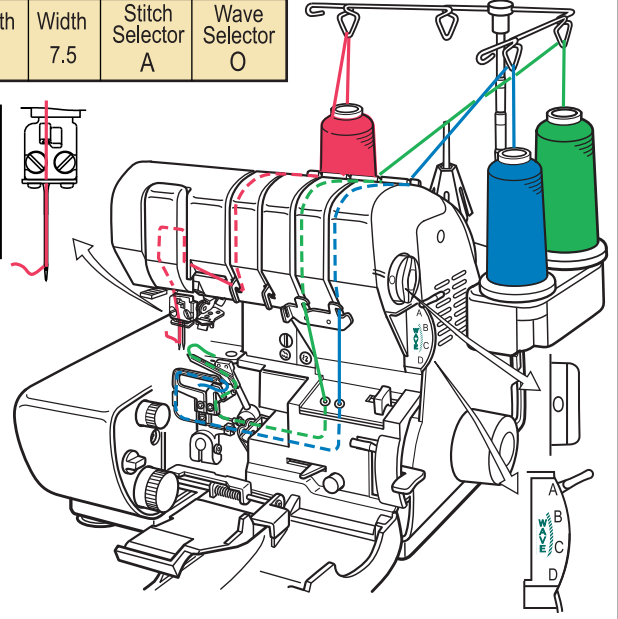
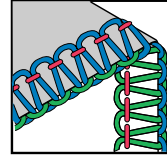
4-Thread Overlock

| Needles | Length | Width | Stitch Selector | Wave Selector |
|--------------|---------|---------|-----------------|---------------|
| left & right | 2.5-3.5 | 6.0-7.5 | A | O |



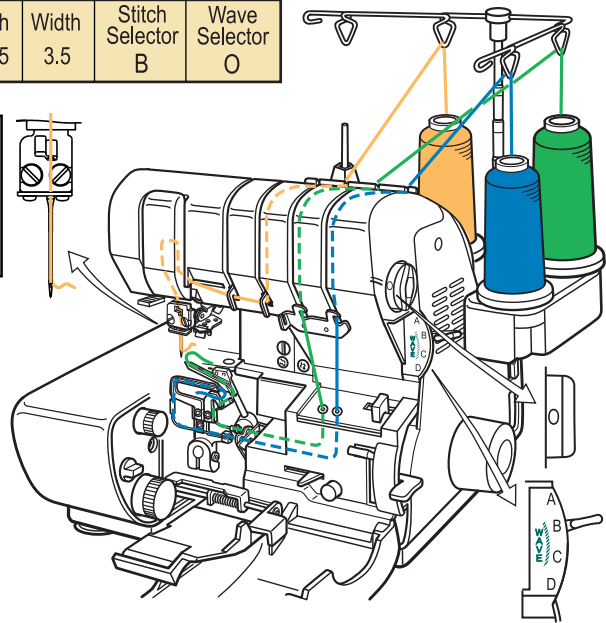
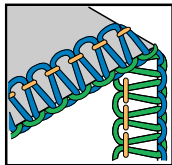
3-Thread Overlock-Wide

| Needles | Length | Width | Stitch Selector | Wave Selector |
|---------|--------|-------|-----------------|---------------|
| left | 2-3 | 7.5 | A | O |



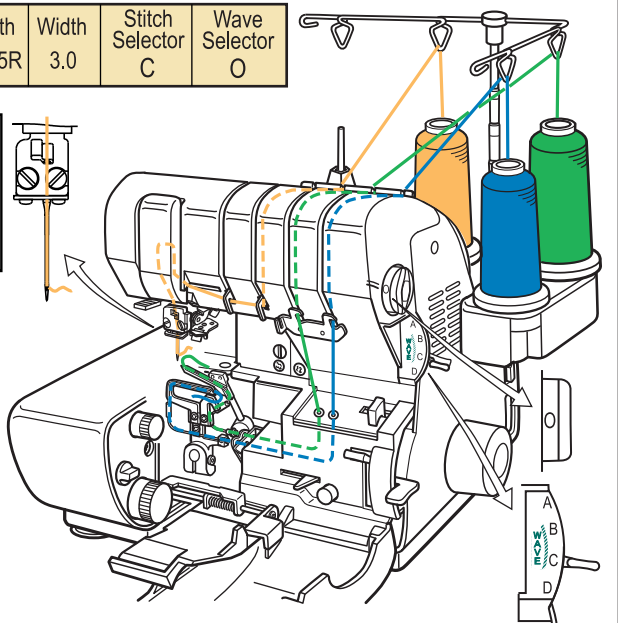
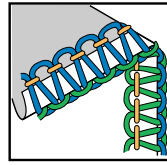
3-Thread Overlock-Narrow

| Needles | Length | Width | Stitch Selector | Wave Selector |
|---------|---------|-------|-----------------|---------------|
| right | 2.5-3.5 | 3.5 | B | O |



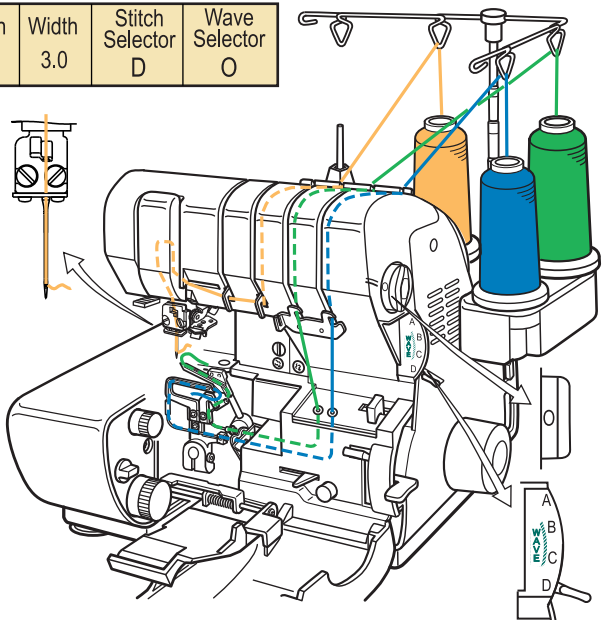
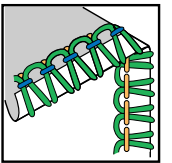
3-Thread Overlock-Narrow Hem

| Needles | Length | Width | Stitch Selector | Wave Selector |
|---------|----------|-------|-----------------|---------------|
| right | 1.0-1.5R | 3.0 | C | O |



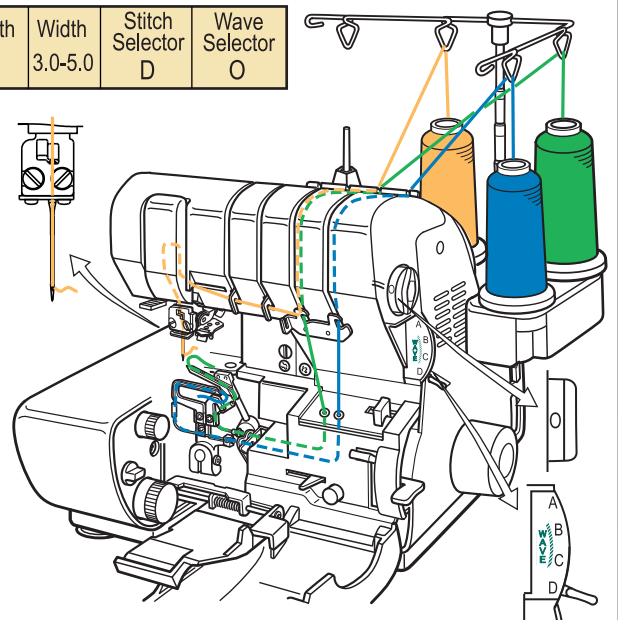
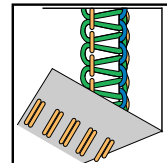
3-Thread Rolled Edge

| Needles | Length | Width | Stitch Selector | Wave Selector |
|---------|--------|-------|-----------------|---------------|
| right | 1.5R | 3.0 | D | O |



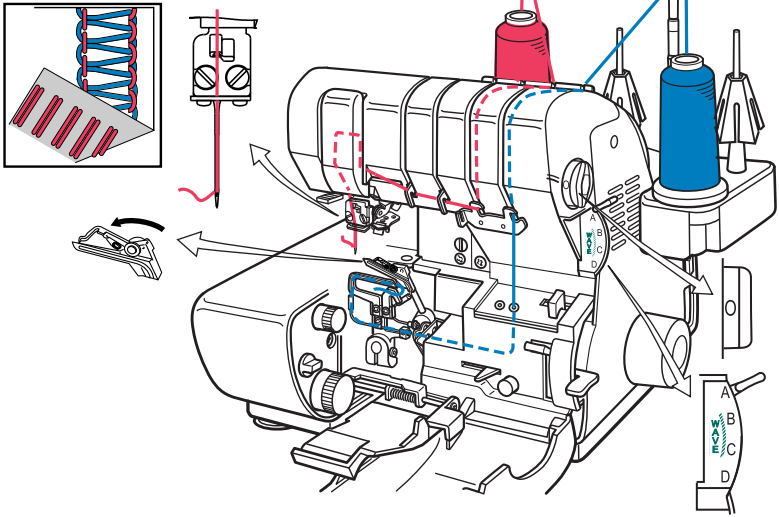
3-Thread Flatlock Seaming

| Needles | Length | Width | Stitch Selector | Wave Selector |
|---------|--------|---------|-----------------|---------------|
| right | 2-3 | 3.0-5.0 | D | O |



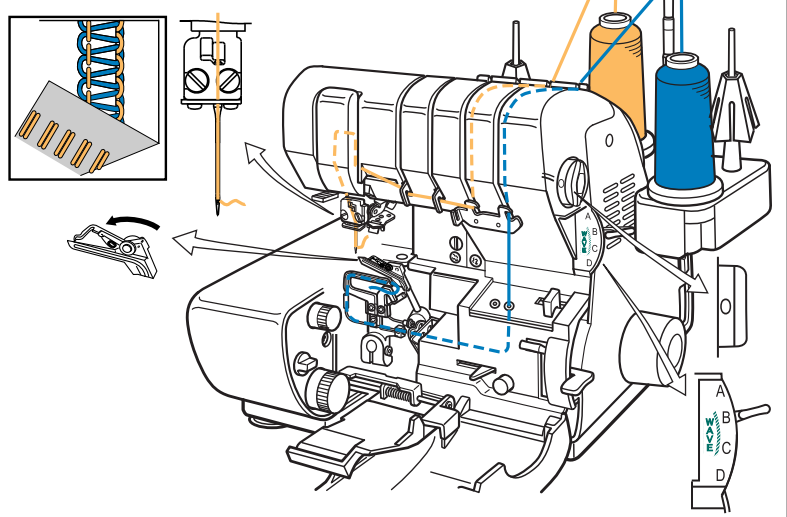
2-Thread Flatlock - Wide

| Needles | Length | Width | Stitch Selector | Wave Selector |
|---------|--------|-------|-----------------|---------------|
| left | 2-2.5 | 7.5 | A | O |



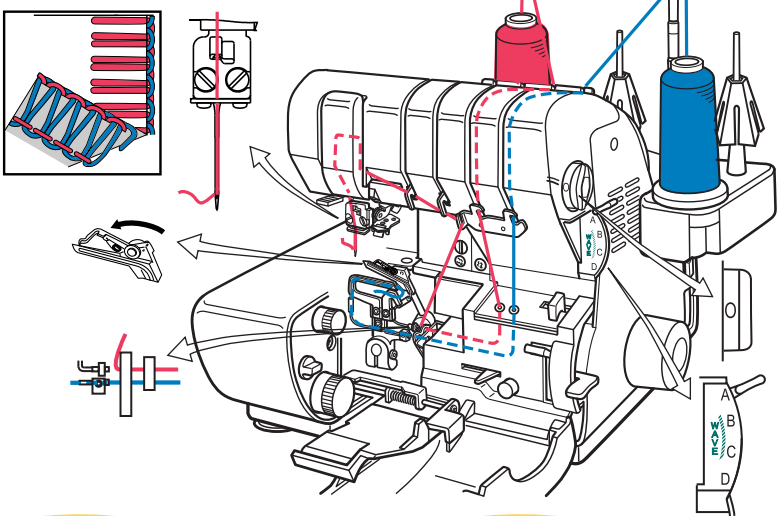
2-Thread Flatlock - Narrow

| Needles | Length | Width | Stitch Selector | Wave Selector |
|---------|--------|-------|-----------------|---------------|
| right | 3-3.5 | 3.5 | B | O |



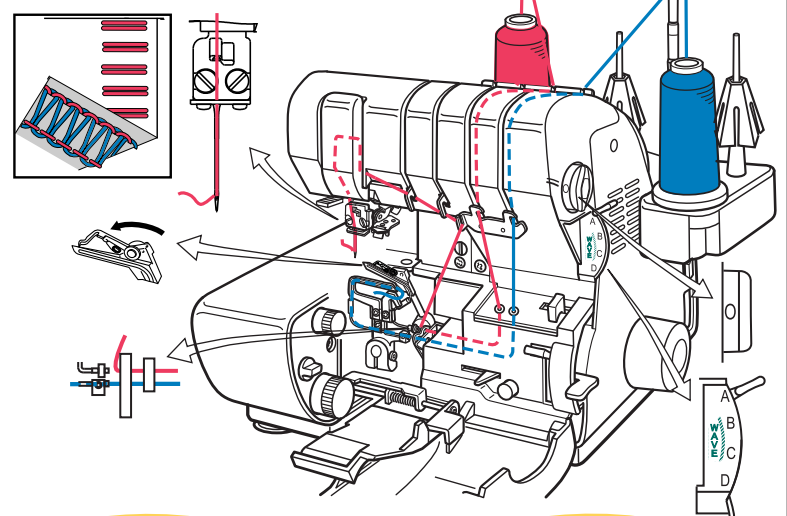
2-Thread Blanket Stitch

| Needles | Length | Width | Stitch Selector | Wave Selector |
|---------|--------|-------|-----------------|---------------|
| left | 4 | 7.5 | A | O |



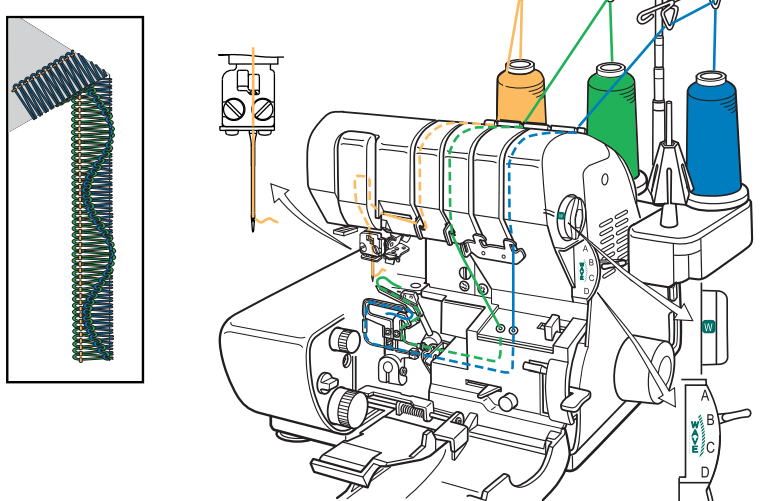
2-Thread Ladder Stitch

| Needles | Length | Width | Stitch Selector | Wave Selector |
|---------|--------|-------|-----------------|---------------|
| left | 2-3 | 7.5 | A | O |



3-Thread Wave Stitch

| Needles | Length | Width | Stitch Selector | Wave Selector |
|---------|---------|---------|-----------------|---------------|
| right | 1.0-2.5 | 3.0-5.0 | B | W |



3-Thread Rolled Wave Stitch

| Needles | Length | Width | Stitch Selector | Wave Selector |
|---------|----------|---------|-----------------|---------------|
| right | 1.0-1.5R | 3.0-5.0 | C | W |

