

BABY LOCK

SEWING ACCESSORIES

Zipper Foot

(BLQ2-ZF)

Instructions

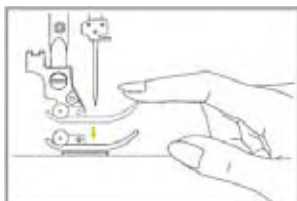


This is the best sewing foot for inserting zippers, snap tape and more. The toe of the foot is narrow for more visibility and precision. Adjust the needle to either the right or left to sew both sides of your zipper easily.

INSTRUCTIONS:

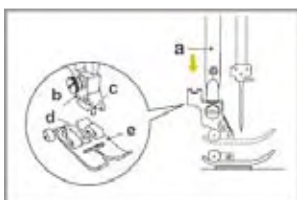
Removing the presser foot

Raise the presser foot (a).



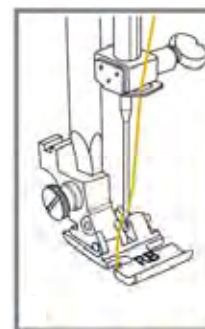
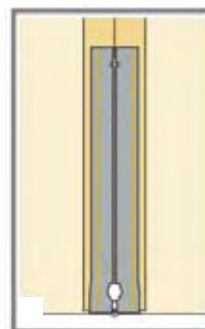
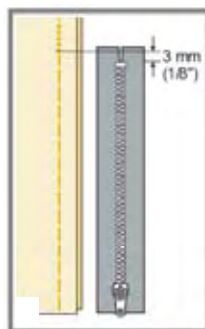
Attaching the presser foot

Lower the presser foot holder (b) until the notch (c) is directly above the pin (d). Lower the presser foot holder (b) and the presser foot (e) will engage automatically.



Centered Zipper

1. Baste the zipper opening on the garment.
2. Press open the seam allowance. Place the zipper face down on the seam allowance with the teeth against the seam line. Baste the zipper tape.
3. Remove the presser foot.
4. Attach the Zipper Foot. Attach the left side of the presser foot pin to the presser foot holder when sewing the right side of the zipper.

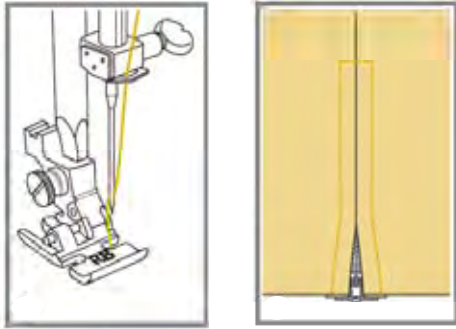


NOTE: The zipper foot should only be used to sew with a center needle position straight stitch. The needle could hit the foot and damage could occur if other patterns or needle positions were used.

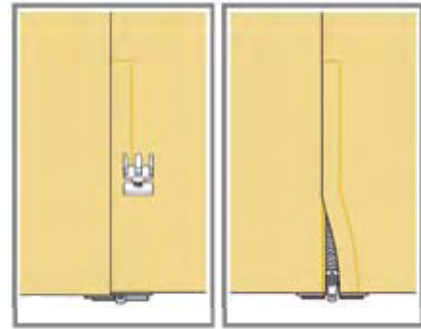


FOR THE LOVE OF SEWING

5. Attach the right side of the presser foot pin to the presser foot holder when sewing the left side of the zipper.
6. Stitch the left side of the zipper from the bottom to the top.
7. Stitch across the lower end and right side of the zipper. Remove the basting stitches and press.

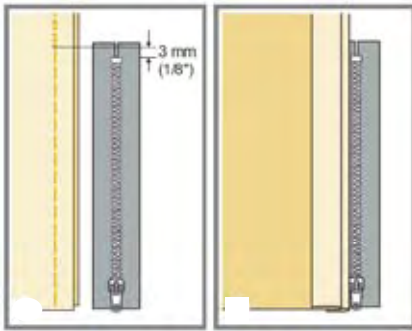


5. Turn the fabric right side out, stitch across the lower end and right side of the zipper.
6. Stop about 2 inches from the top of the zipper. Remove the basting stitches and open the zipper. Stitch the remainder of the seam.

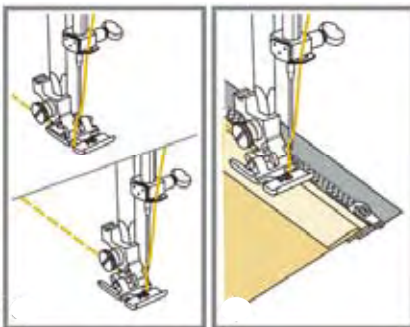


Side Zipper

1. Baste the zipper opening on the garment using the general purpose foot.
2. Fold the garment back to the left seam allowance. Turn under the right seam allowance to form a 1/8" fold.



3. Attach the zipper. Attach the left side of the presser foot pin to the presser foot holder when sewing the right side of the zipper. Attach the right side of the presser foot pin to the presser foot holder when sewing the left side of the zipper.
4. Stitch the left side of the zipper from the bottom to the top.



FOR THE LOVE OF SEWING

800-422-2952

www.babylock.com