



Quick Reference Guide

Model BLQ2-PL



FOR THE LOVE OF SEWING

To register your warranty and receive product updates and offers, register your Baby Lock machine on babylock.com/profile. If you have questions with registration, visit your Authorized Baby Lock Retailer.

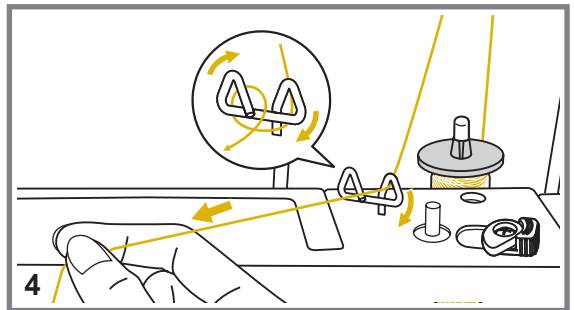
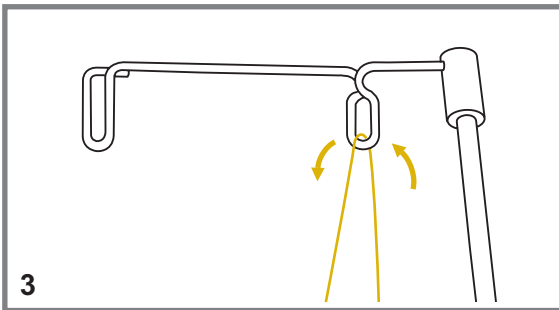
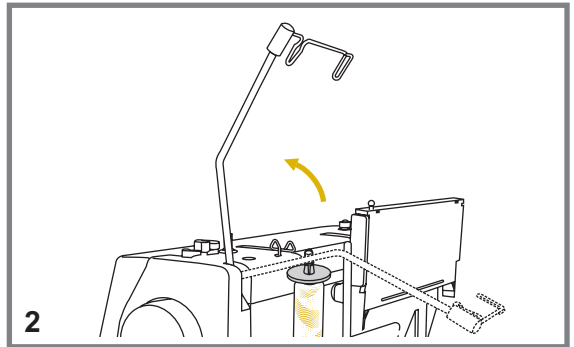
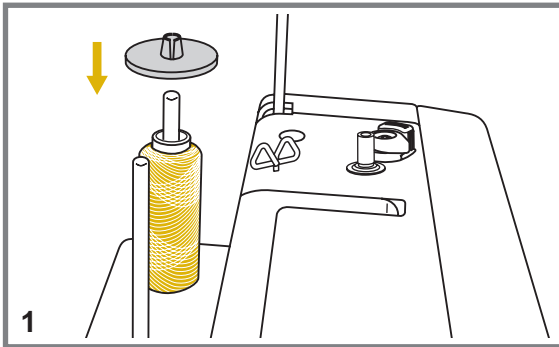
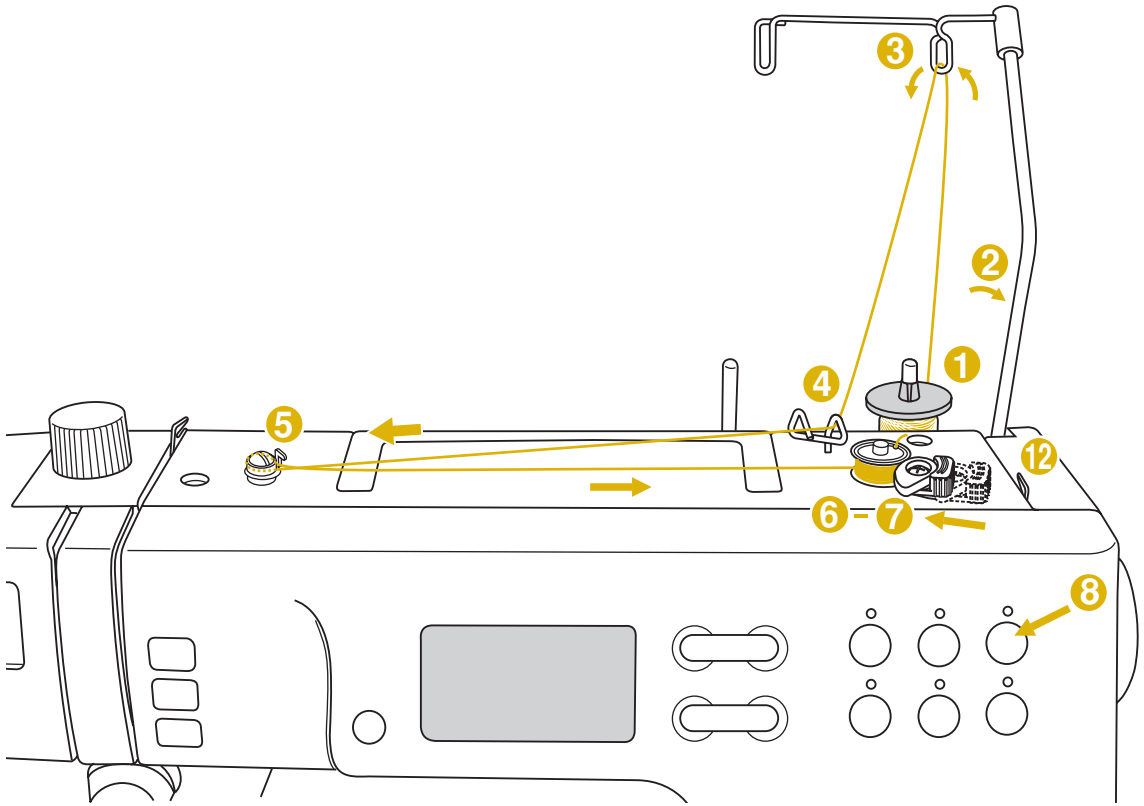
Baby Lock Consumer Helpline: 800-313-4110
www.babylock.com

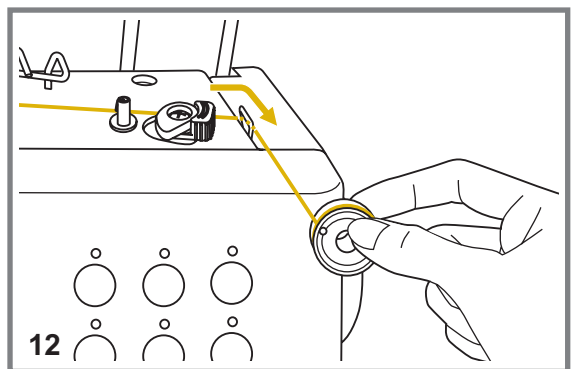
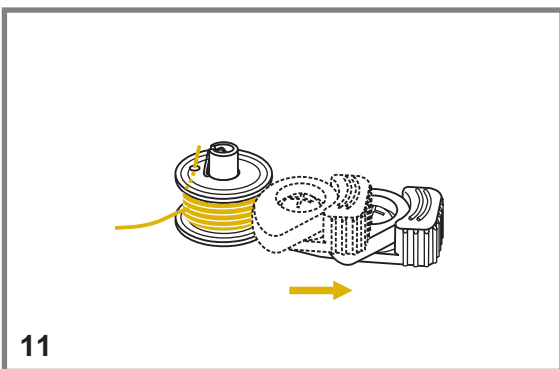
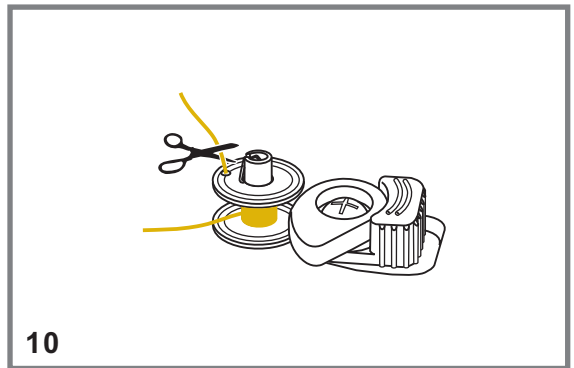
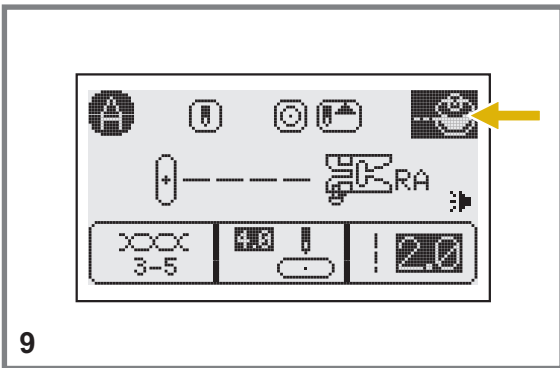
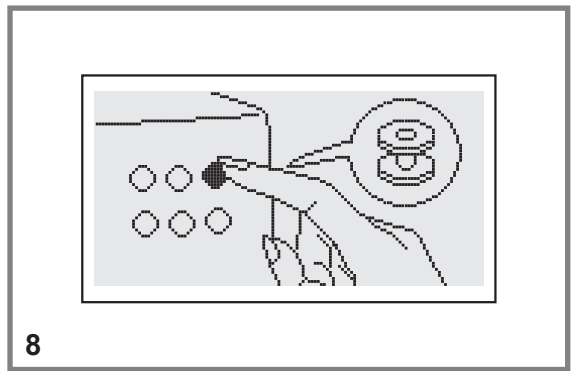
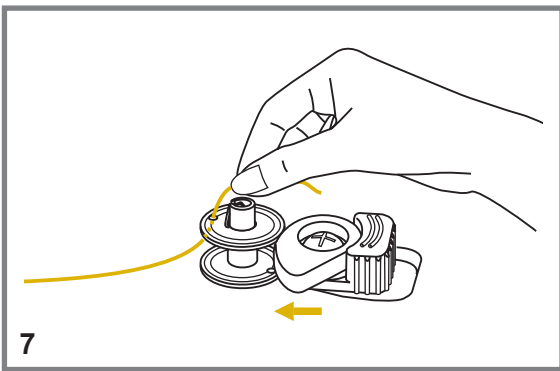
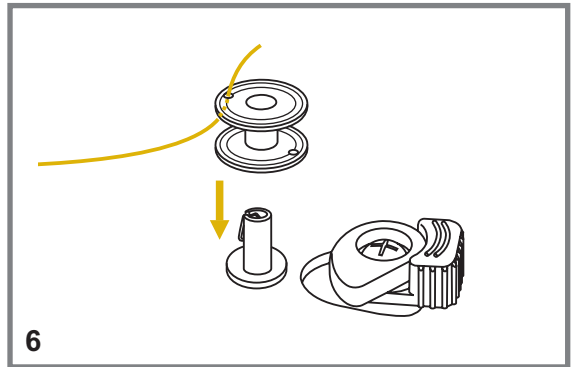
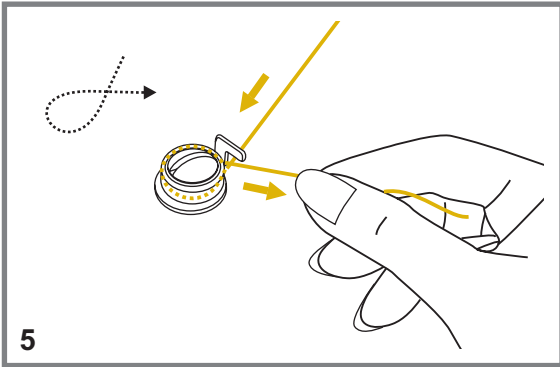
Refer to the instruction and reference guide for detailed instructions.

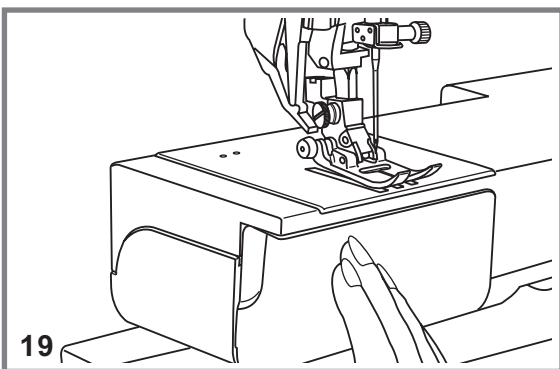
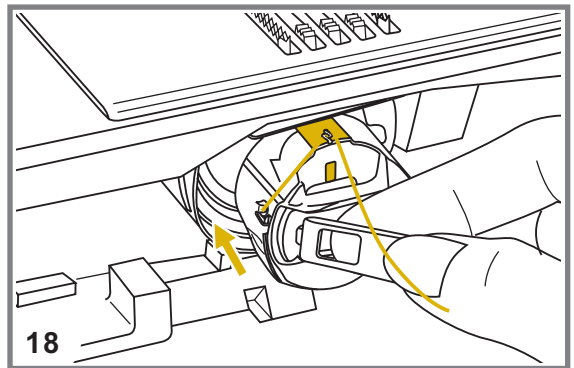
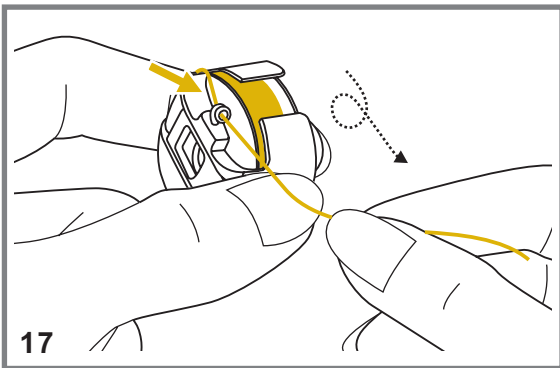
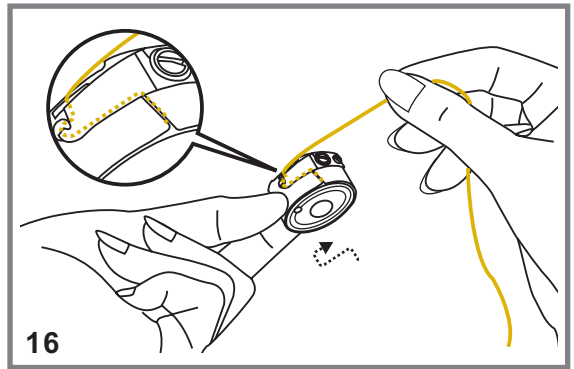
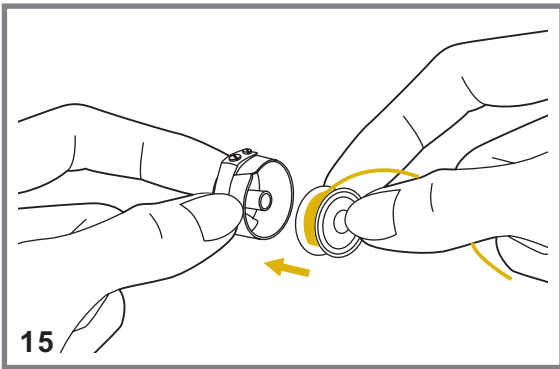
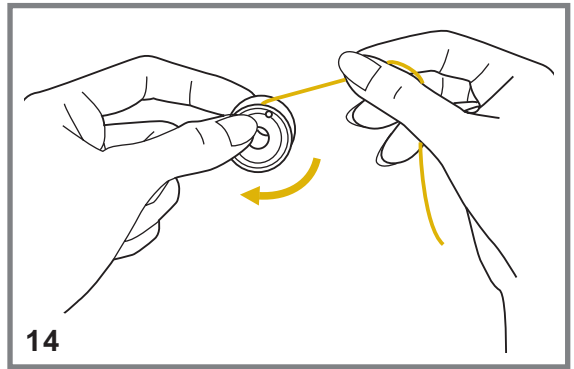
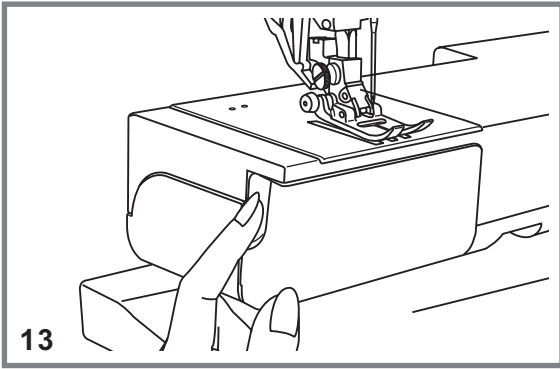
CONTENTS

Winding and inserting the bobbin	2-4
Upper threading	5-6
Selection buttons	7
Memory function.....	8-12
Save pattern's memo.....	13
Summary of stitch patterns	14-15
Group 1-A Patterns (Direct Patterns) -10	14
Group 2-B Patterns-93	14
Group 3-C Patterns-25	14
Group 4-D Patterns-79	15
Block style group "A" patterns-78	15
Script style group "A" patterns-78	15

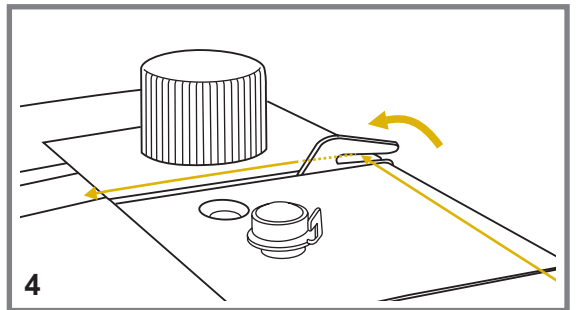
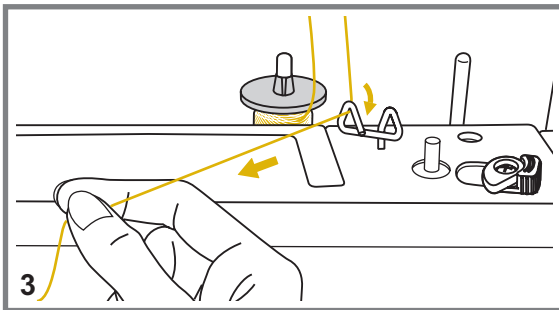
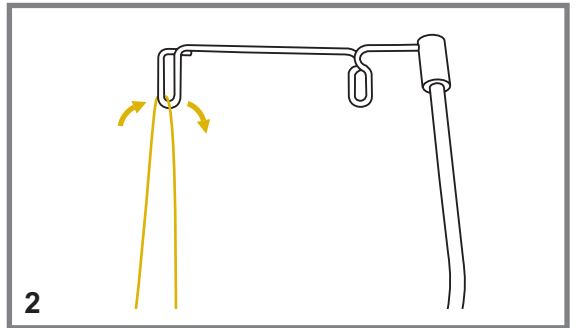
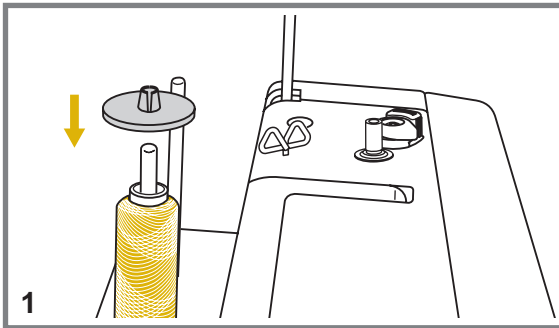
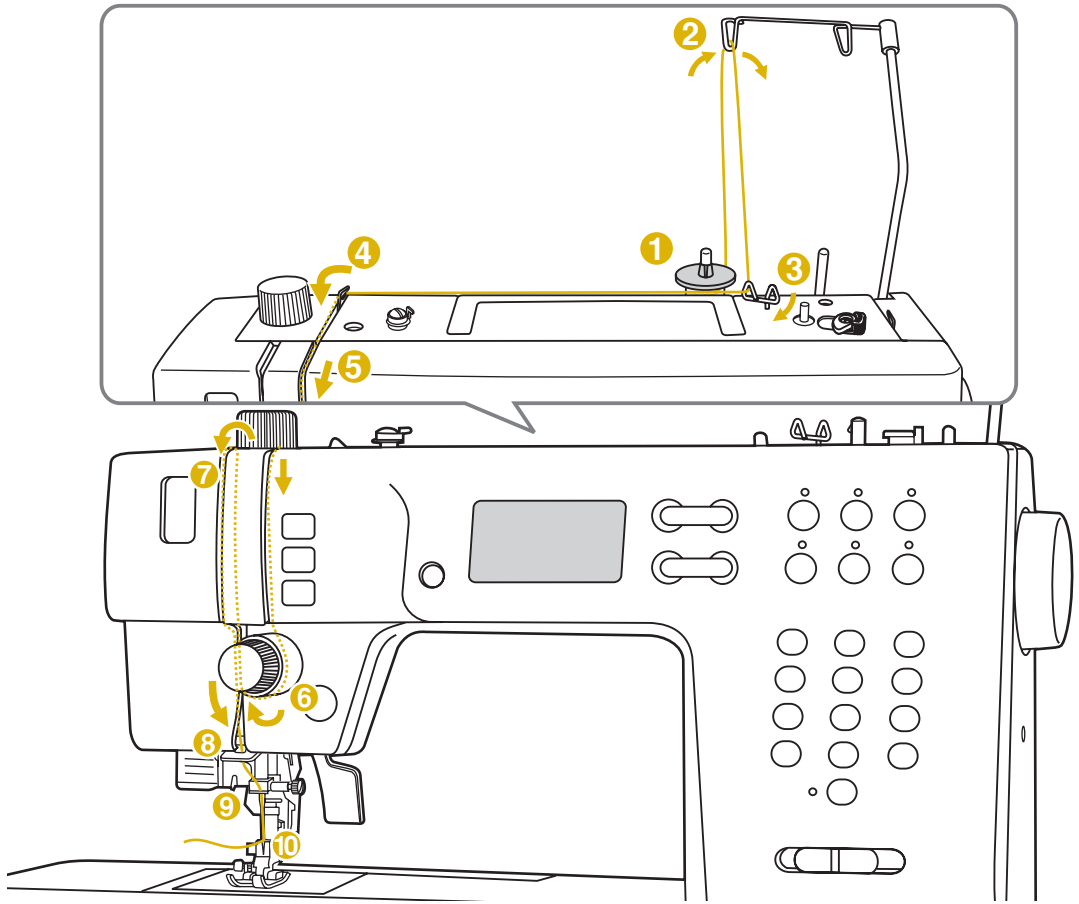
WINDING AND INSERTING THE BOBBIN

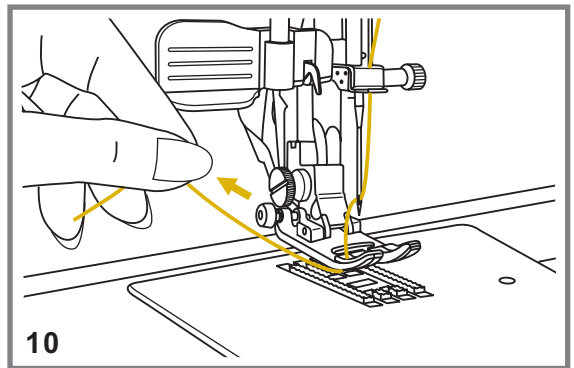
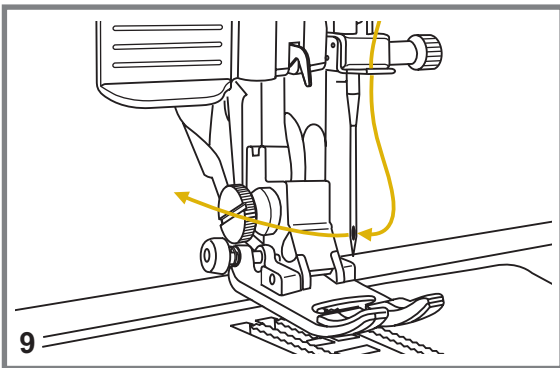
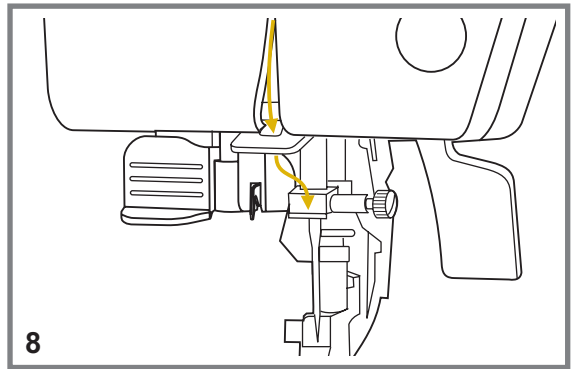
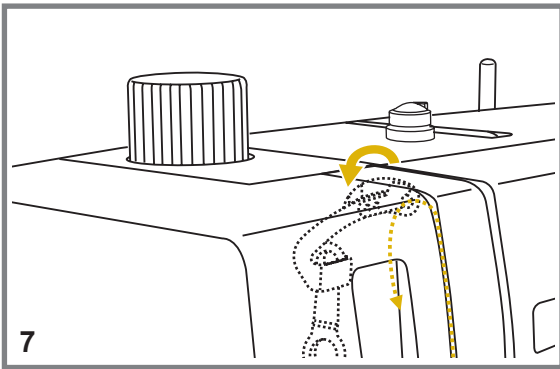
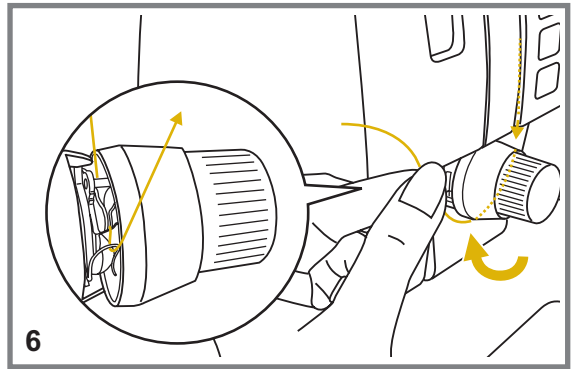
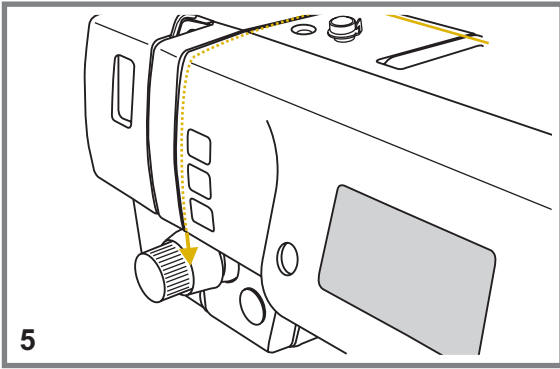






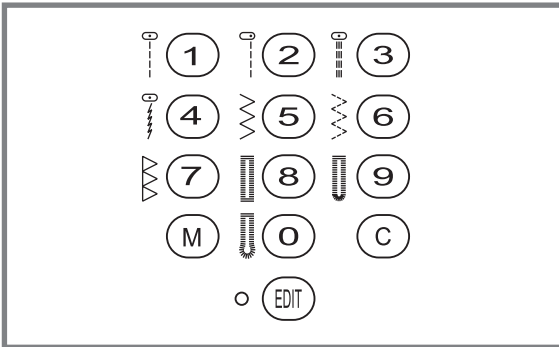
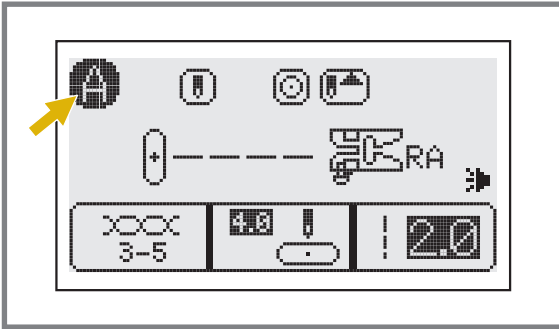
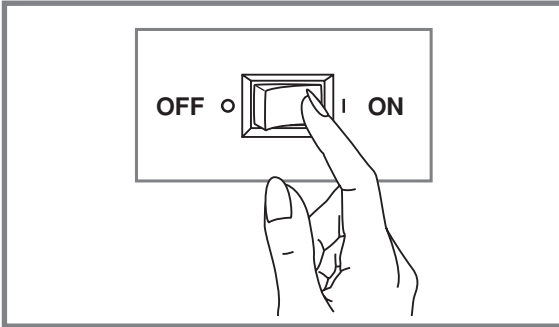
UPPER THREADING





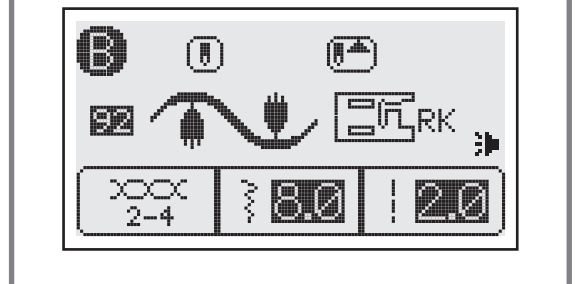
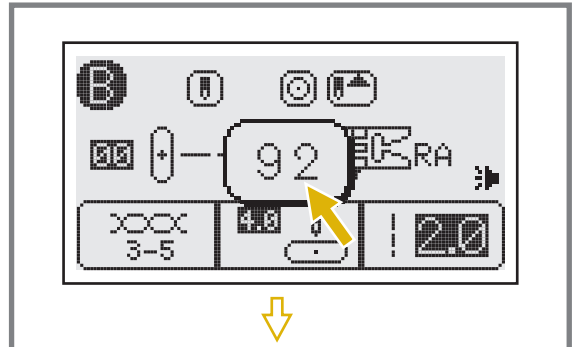
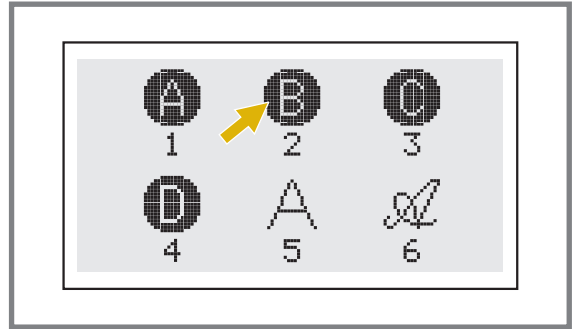
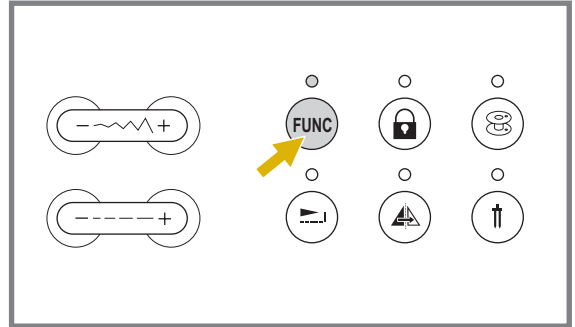
SELECTION BUTTONS

■ Direct pattern selection



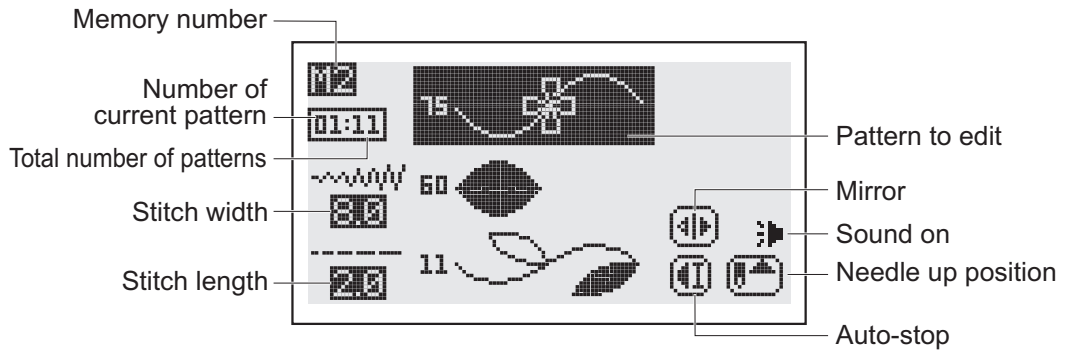
 See page 14

■ Number buttons

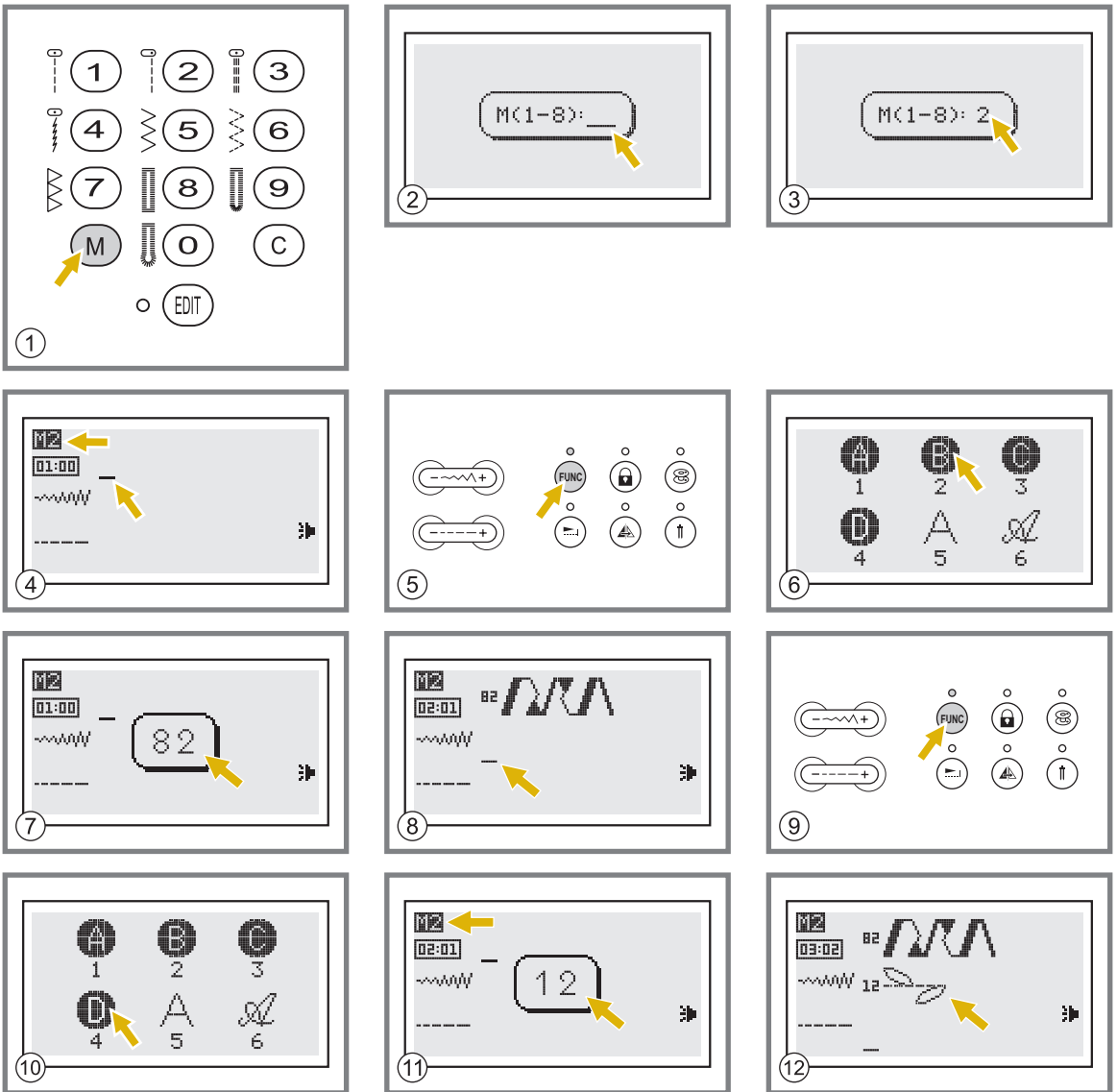


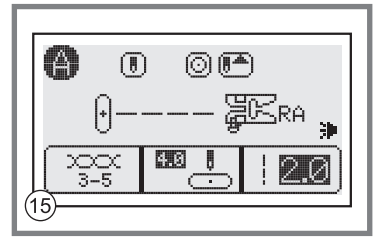
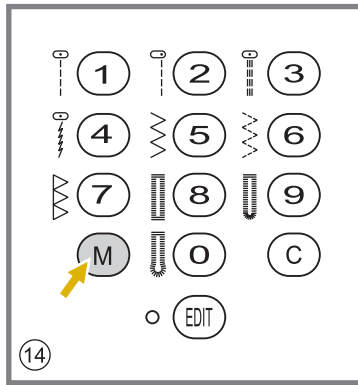
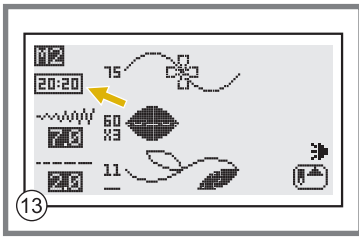
 See page 14-15

MEMORY FUNCTION

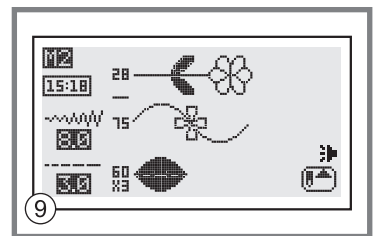
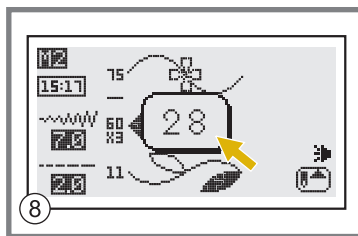
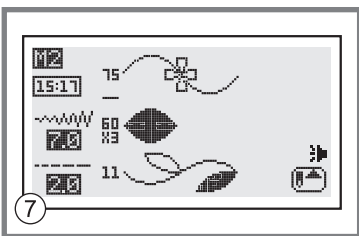
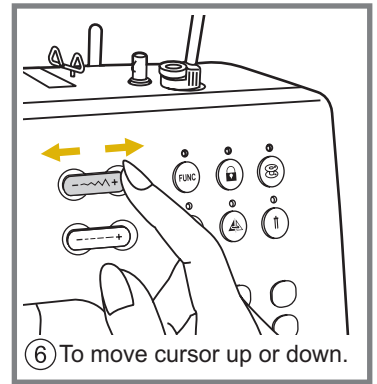
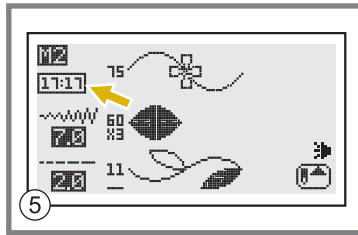
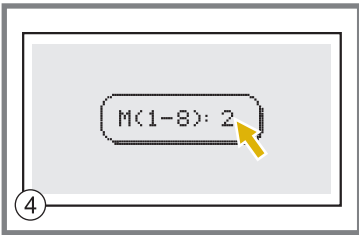
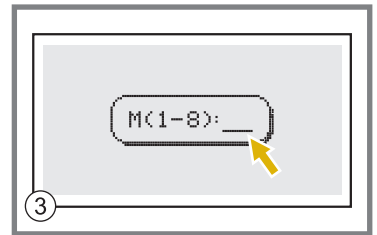
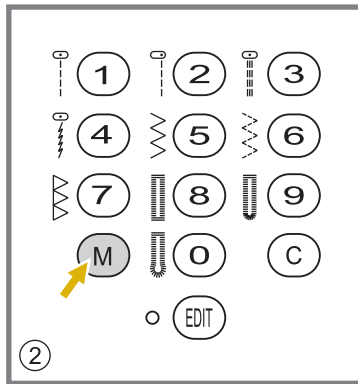
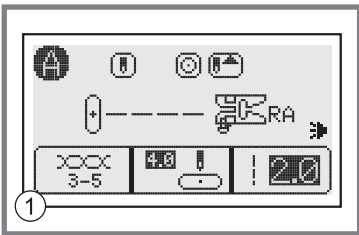


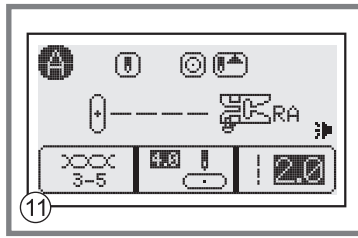
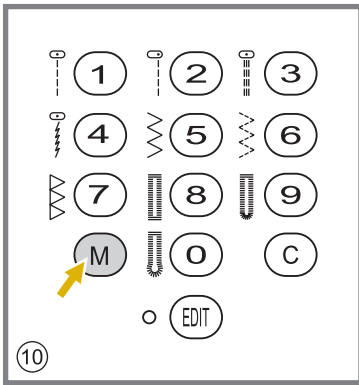
■ Combining patterns or letters



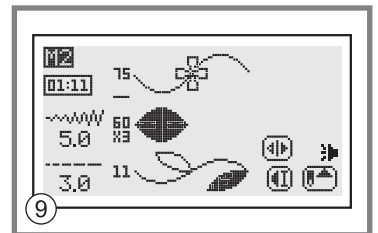
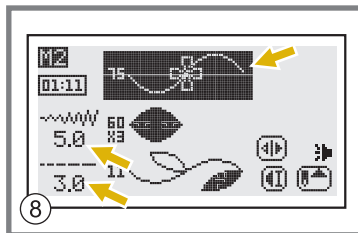
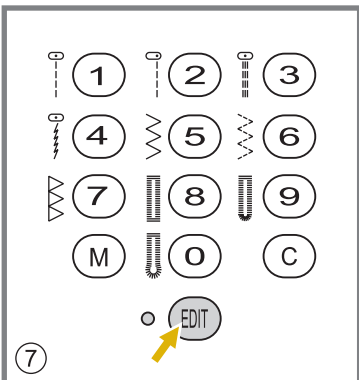
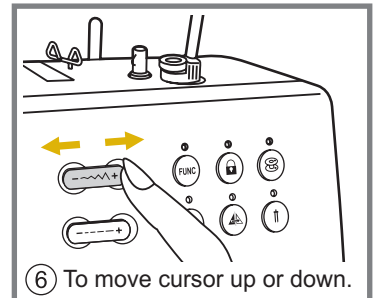
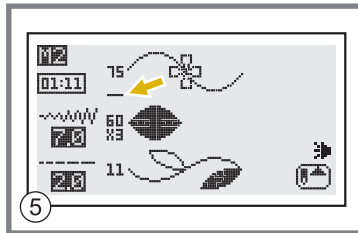
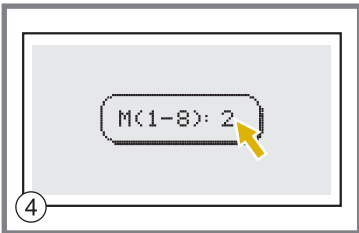
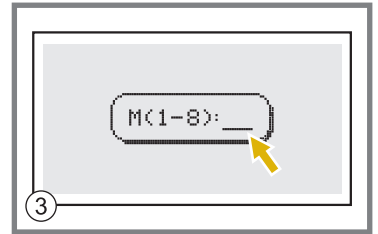
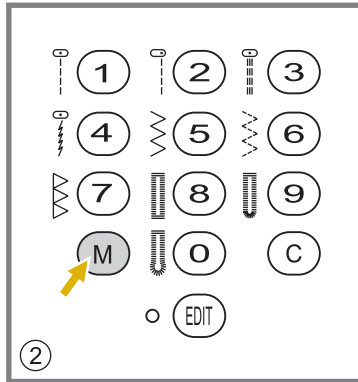
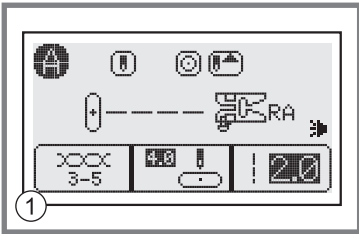


■ Adding patterns or letters

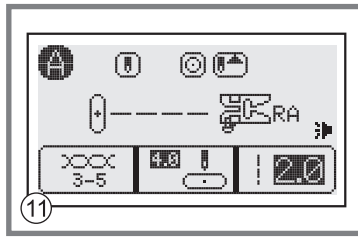
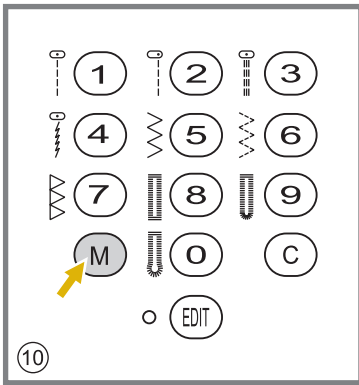




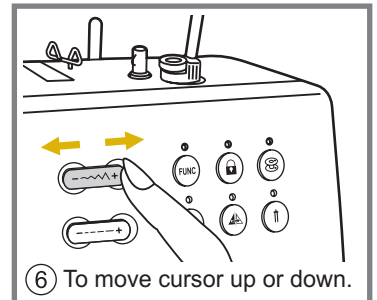
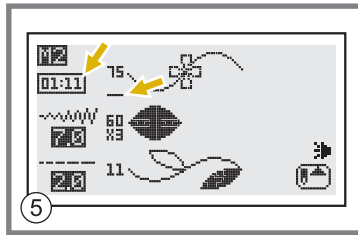
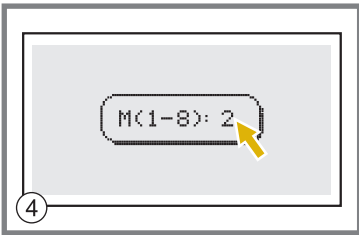
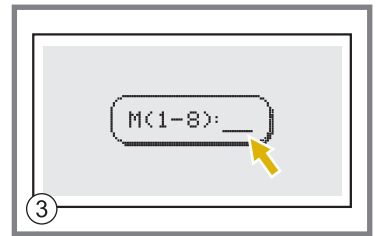
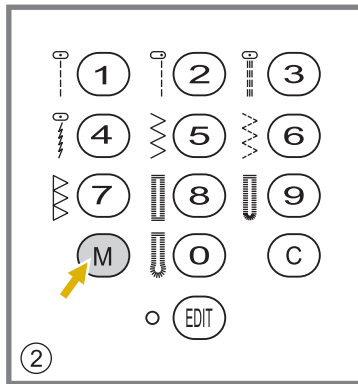
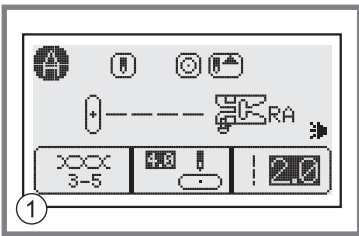
■ Editing patterns



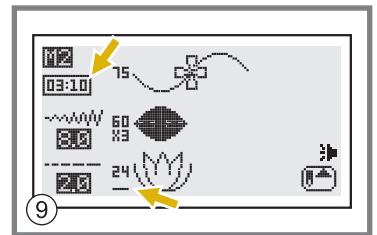
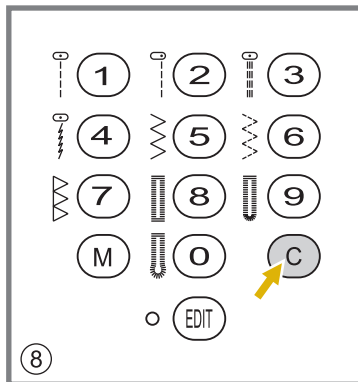
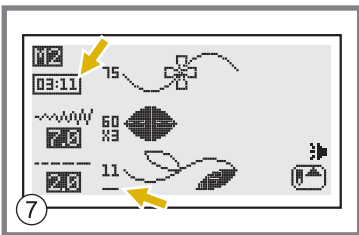
Press the "EDIT" button again to return to the browse status.

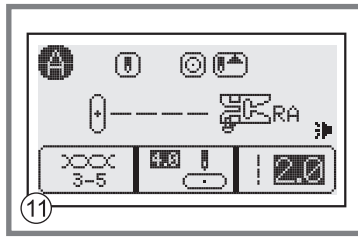
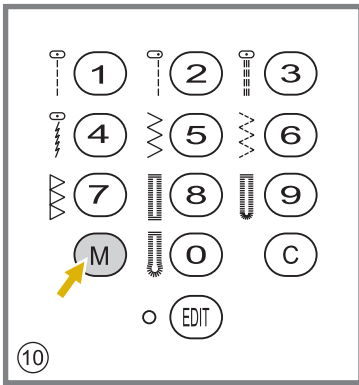


■ Clearing patterns or letters

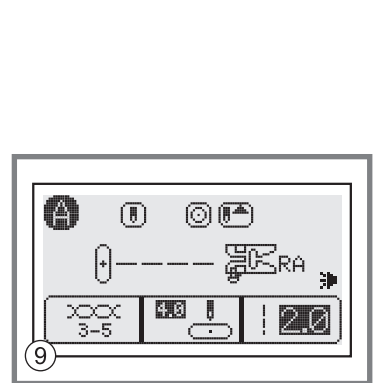
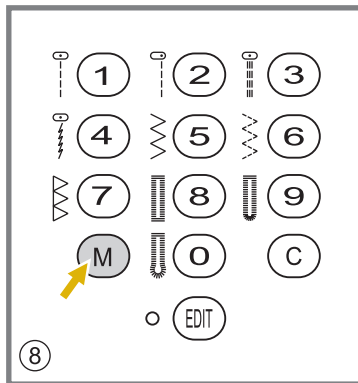
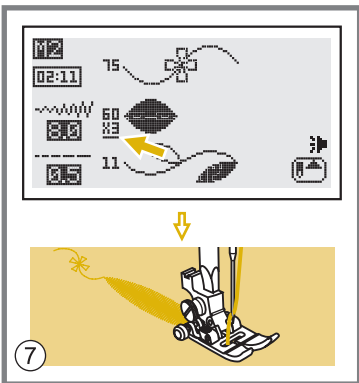
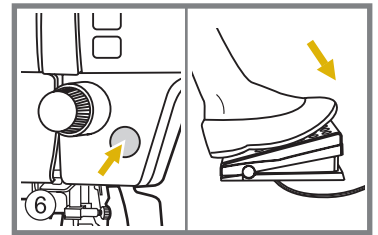
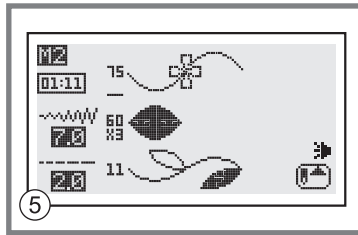
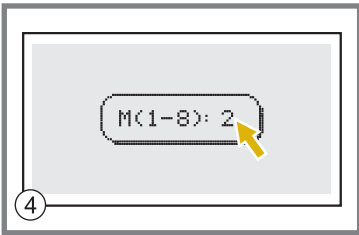
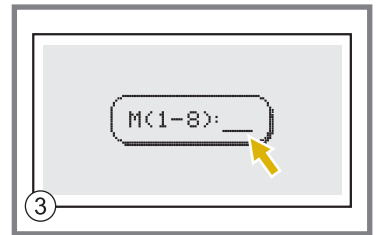
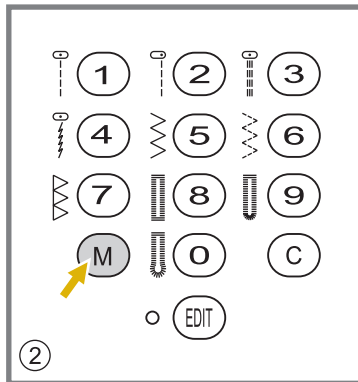
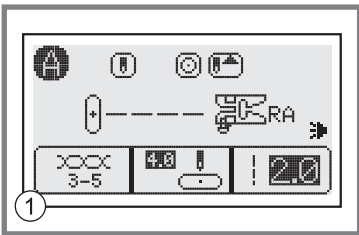


⑥ To move cursor up or down.





■ Recalling and sewing the memorized pattern



SAVE PATTERN'S MEMO

■ Save patterns

M-1

M-2

M-3

M-4

M-5

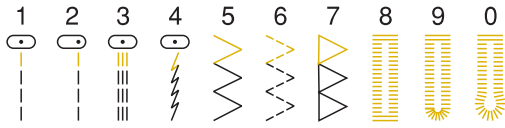
M-6

M-7

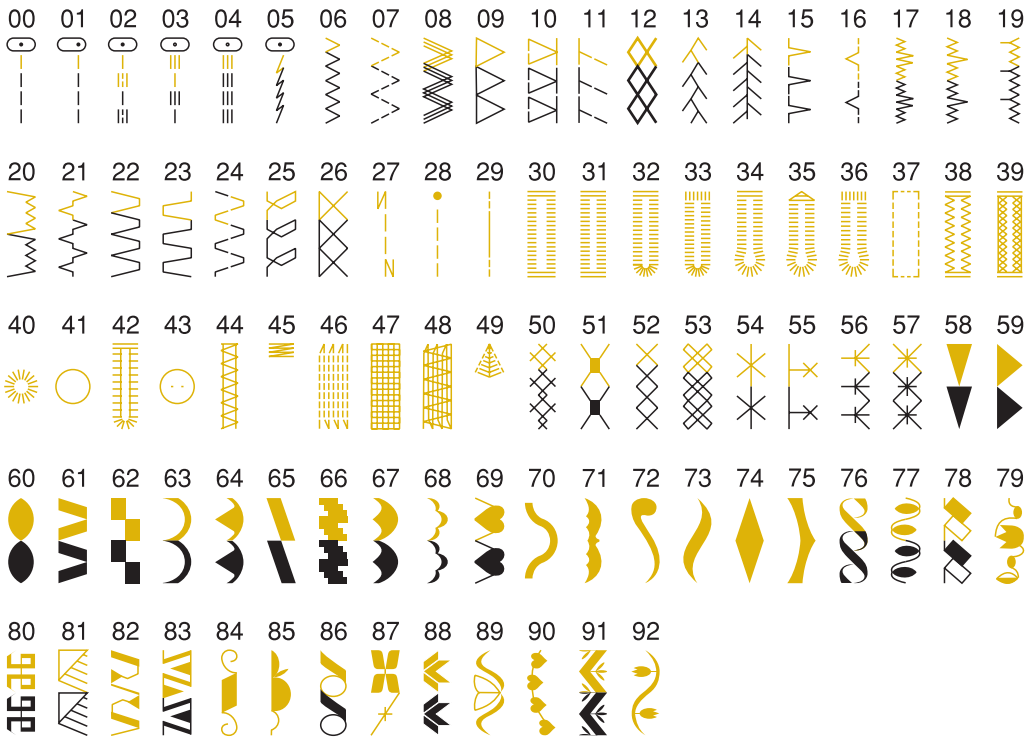
M-8

SUMMARY OF STITCH PATTERNS

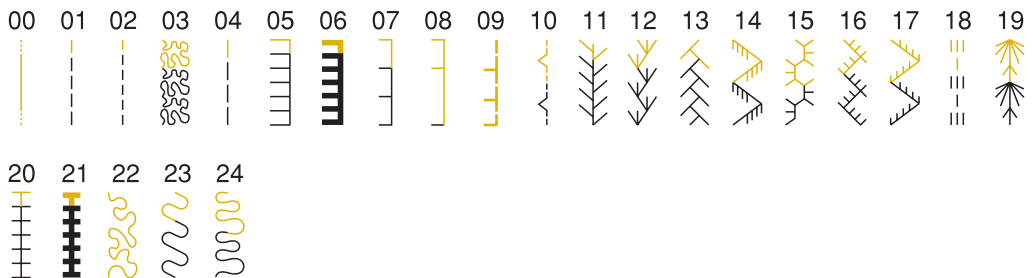
Group 1-A Patterns (Direct Patterns) -10



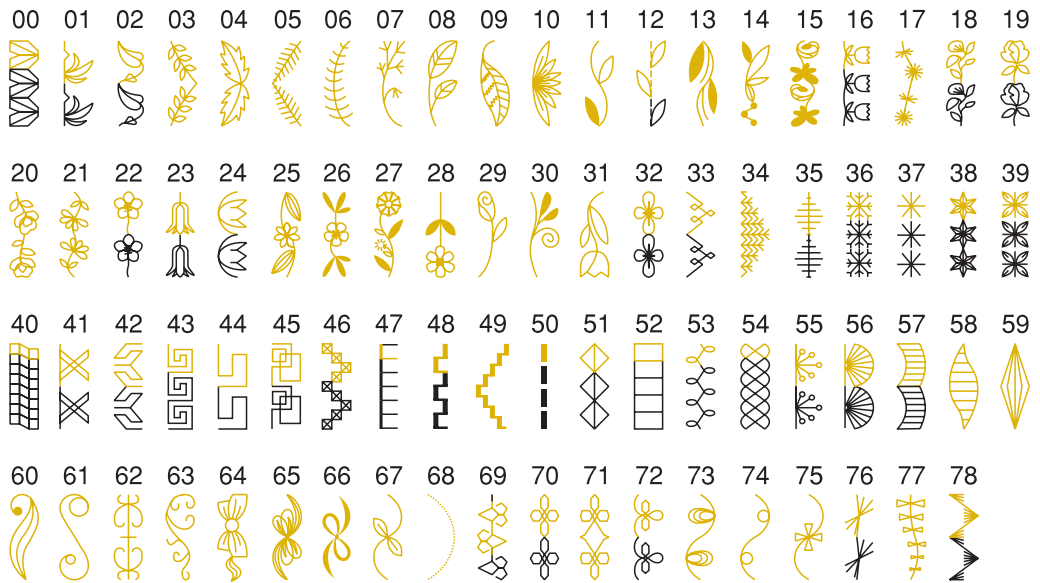
Group 2-B Patterns-93



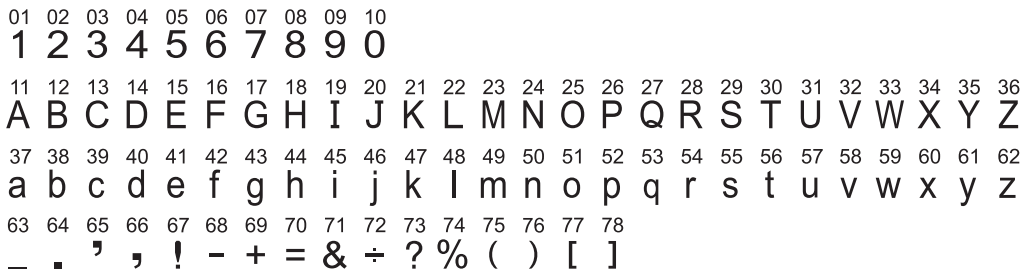
Group 3-C Patterns-25



Group 4-D Patterns-79



Block style group "A" patterns-78



Script style group "A" patterns-78

