

# BABY LOCK SEWING ACCESSORIES

## Overcasting Foot

(BLQ2-OF)

### Instructions

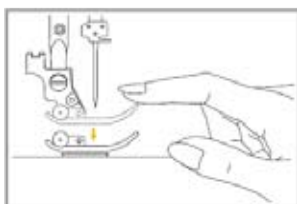


This foot delivers a consistent and accurate overcasting stitch for a serged effect using your sewing machine. Thread is locked around the edge of the fabric, aligned with the edge, to prevent fabric from raveling.

#### INSTRUCTIONS:

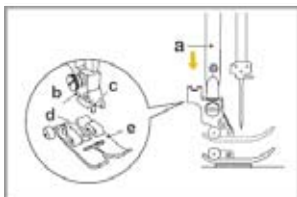
##### Removing the presser foot

Raise the presser foot (a).



##### Attaching the presser foot

Lower the presser foot holder (b) until the notch (c) is directly above the pin (d). Lower the presser foot holder (b) and the presser foot (e) will engage automatically.



**The Precision Dual-Feed** Quilting System (PDQ) feeds the fabric from the top and bottom simultaneously to ensure matching of the fabric layers, used for quilting layers of fabric and batting, and when matching checked, striped or plaid fabrics.

#### To Activate and Deactivate the Precision Dual-Feed Quilting System (PDQ)

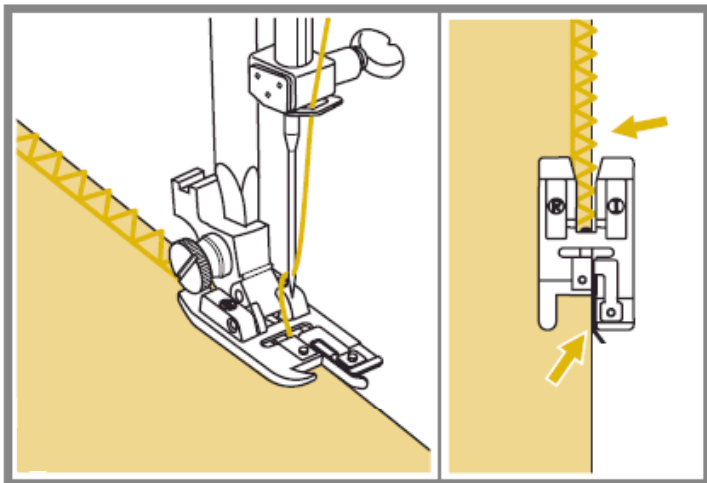


To activate the PDQ system, raise the presser foot. Lower the PDQ mechanism slowly and swing the PDQ mechanism forward under the back of the presser foot until it is engaged and stays in the system. To deactivate the PDQ system, raise the presser foot, pull down on the mechanism and swing it to the rear then raise the PDQ up.



**FOR THE LOVE OF SEWING**

**NOTE:** the overcasting foot should only be used to sew with group 2-B patterns 06 and 09. Do not set the stitch width narrower than the recommended 5.0, the needle could hit the foot and damage could occur if other patterns or narrower widths were used.



**FOR THE LOVE OF SEWING**

800-422-2952

[www.babylock.com](http://www.babylock.com)