

BABY LOCK SEWING ACCESSORIES

Blind Hem Foot

(BLQ2-BLH)

Instructions

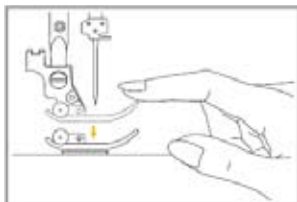


Looking for a quick, easy way to make your hems invisible? This foot was designed specifically for easily stitching a blind hem. You can also use this foot for quick edge stitching along fabric edges.

INSTRUCTIONS:

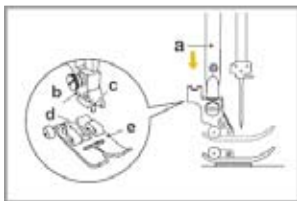
Removing the presser foot

Raise the presser foot (a).



Attaching the presser foot

Lower the presser foot holder (b) until the notch (c) is directly above the pin (d). Lower the presser foot holder (b) and the presser foot (e) will engage automatically.



The Precision Dual-Feed Quilting System (PDQ) feeds the fabric from the top and bottom simultaneously to ensure matching of the fabric layers, used for quilting layers of fabric and batting, and when matching checked, striped or plaid fabrics.

To Activate and Deactivate the Precision Dual-Feed Quilting System (PDQ)

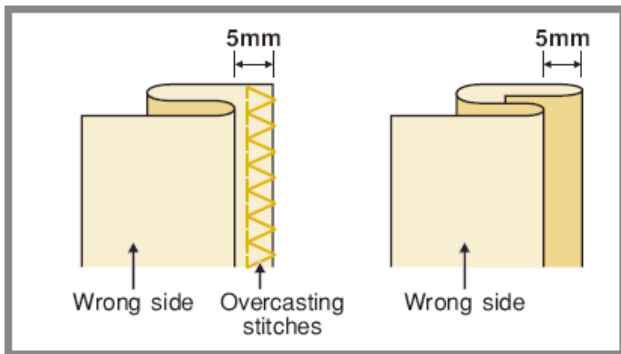


To activate the PDQ system, raise the presser foot. Lower the PDQ mechanism slowly and swing the PDQ mechanism forward under the back of the presser foot until it is engaged and stays in the system. To deactivate the PDQ system, raise the presser foot, pull down on the mechanism and swing it to the rear then raise the PDQ up.

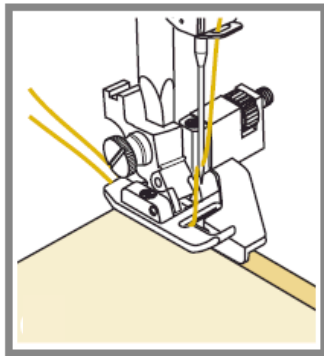


FOR THE LOVE OF SEWING

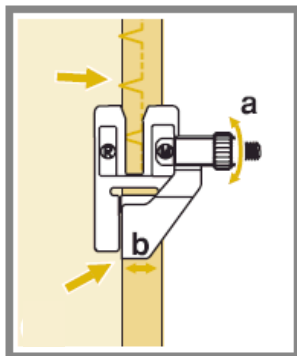
1. Remove the presser foot.
2. Attach the Blind Hem Foot and engage PDQ.
3. Select blind hem stitch #16, #19 or #20.
4. Fold the fabric as illustrated with the wrong side facing up.



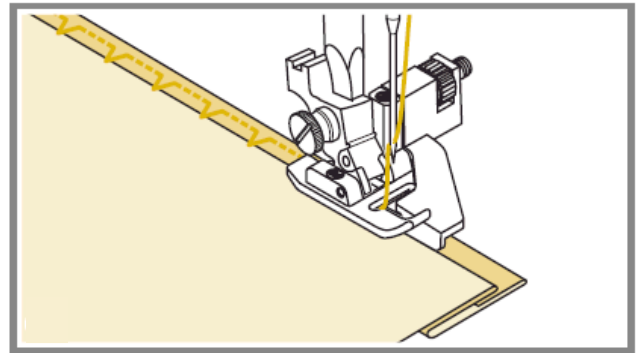
5. Place the fabric under the foot. Turn the handwheel towards you until the needle swings fully to the left. It should just pierce the fold of the fabric. If it does not adjust either the stitch width or the guide as necessary.



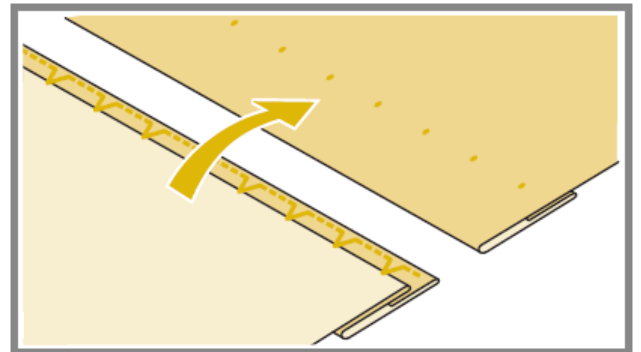
6. Adjust the guide (b) by turning the knob (a) so that the guide just rests against the folded edge of the fabric and the needle just barely catches the fold as you sew.



7. Sew slowly guiding the fabric carefully along the edge of the guide.



8. Turn the fabric over.



NOTE: If the stitches are too visible on the right side of the fabric decrease the width of the stitch or move the guide to the right. If the stitches are not catching the fold of the fabric, increase the width or move the guide to the left.



FOR THE LOVE OF SEWING

800-422-2952

www.babylock.com